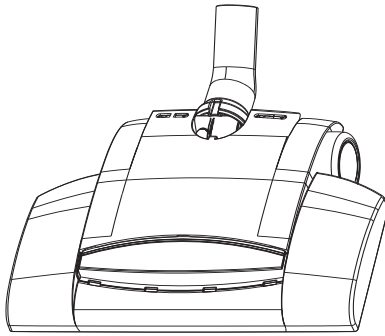


CRUSAIDER

Electric Power Nozzle



Operating Manual

Important Safeguards

When using an electric appliance, basic precautions should always be followed.

Read all instructions before using this Electric Power Nozzle.

WARNING

To reduce the risk of fire, electric shock or injury:

- n **Use only as described in this manual.**
- n Use only manufacturer's recommended attachments.
- n **This nozzle creates suction and contains a revolving brush roll.** Keep hair, loose clothing, fingers and all parts of body away from openings and moving parts.
- n Do not use outdoors or on wet surfaces.
- n Do not leave nozzle unattended when operating. Turn off the switch, place handle upright when not in use and before servicing. If the nozzle is not working as it should, return it to an authorized ProTeam service center.
- n Do not allow to be used as a toy. Close attention is necessary when used by or near children.
- n Do not use with damaged cord or plug. If nozzle is not working as it should because it has been dropped, damaged, left outdoors, or dropped into water, return it to a ProTeam service center for repair.
- n Do not: pull or carry by cord, use cord as a handle, close a door on cord, or pull cord around sharp edges or corners.
- n Do not run vacuum cleaner over cord.
- n Keep cord away from heated surfaces.
- n Do not use extension cords or outlets with inadequate current carrying capacity.
- n Turn off all controls before unplugging.
- n Do not unplug by pulling cord. To unplug, grasp the plug and pull away from the power outlet.
- n Do not handle plug or nozzle with wet hands.
- n Do not put any object into vacuum intake openings. Do not use with any opening blocked. Keep vacuum intake openings free of dust, lint, hair or any anything that may reduce airflow.
- n Do not pick up anything that is burning or smoking such as cigarettes, matches or hot ashes.
- n Belts can become hot during normal use. To prevent burns, avoid touching the belt pulley when servicing the drive belt.
- n Use extra care when cleaning stairs.
- n Do not use to pick up flammable or combustible liquids such as gasoline, or use in areas when they may be present.
- n Store your nozzle indoors in a cool, dry area.
- n Keep your work area well lighted.
- n Unplug electrical appliances before vacuuming them.

Operation

The power nozzle will automatically start when the handle release pedal is depressed and is put in the working position (see photo on page 7).

- n To achieve the best results when cleaning carpet, slowly pass the power nozzle back and forth over the area to be cleaned.
- n To clean hard surfaces simply move the power nozzle over the area to be cleaned with the vacuum on and the power nozzle on or off.
- n It is best to avoid cleaning carpet fringes. When it is unavoidable, place the power nozzle over the carpet and pull it over the fringe toward the floor.

Indicator Light

- n The green lamp indicates that the nozzle is on and operating normally.
- n The red warning lamp will light if the brush rotation is restricted. This can occur if an object causes brush speed reduction, thus overloading the drive motor. If this occurs:
 1. Turn off the vacuum cleaner and disconnect the power supply cord.
 2. Remove the object that is preventing the brush from rotating.
 3. Press the red reset button. (See photo on page 7)
 4. Reconnect the nozzle.

Cleaning

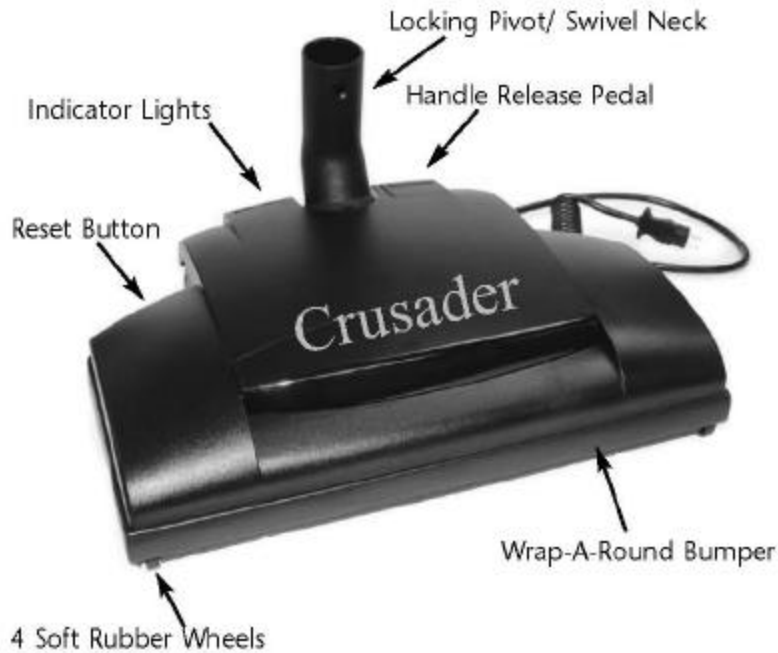
It may happen that your agitator brush becomes blocked or less effective. This may be caused by excessive hair and threads wrapped around the brush roller.

- n **Always unplug the nozzle from the power supply first.**
- n **Cleaning the brush roller**
 1. Insert the points of a pair of scissors into the brush roller slot (see photo on page 8). Move the scissors to catch the threads and hairs in the scissors.
 2. Cut the threads of hairs and remove them manually or by using a small sized pair of pliers.
- n **Should your nozzle cease to pick-up debris:**

This can be caused by an obstruction in the intake or neck of the power nozzle when excessively large or long debris is lodged in the intake or neck area.

- n **Clearing an obstruction**
 1. Remove the wand from the nozzle by depressing the button on the nozzle neck and pulling the nozzle and wand apart.
 2. Look into the neck and remove any visible debris.
 3. Look into the intake area of the nozzle and remove any visible debris. (See photo on page 8).

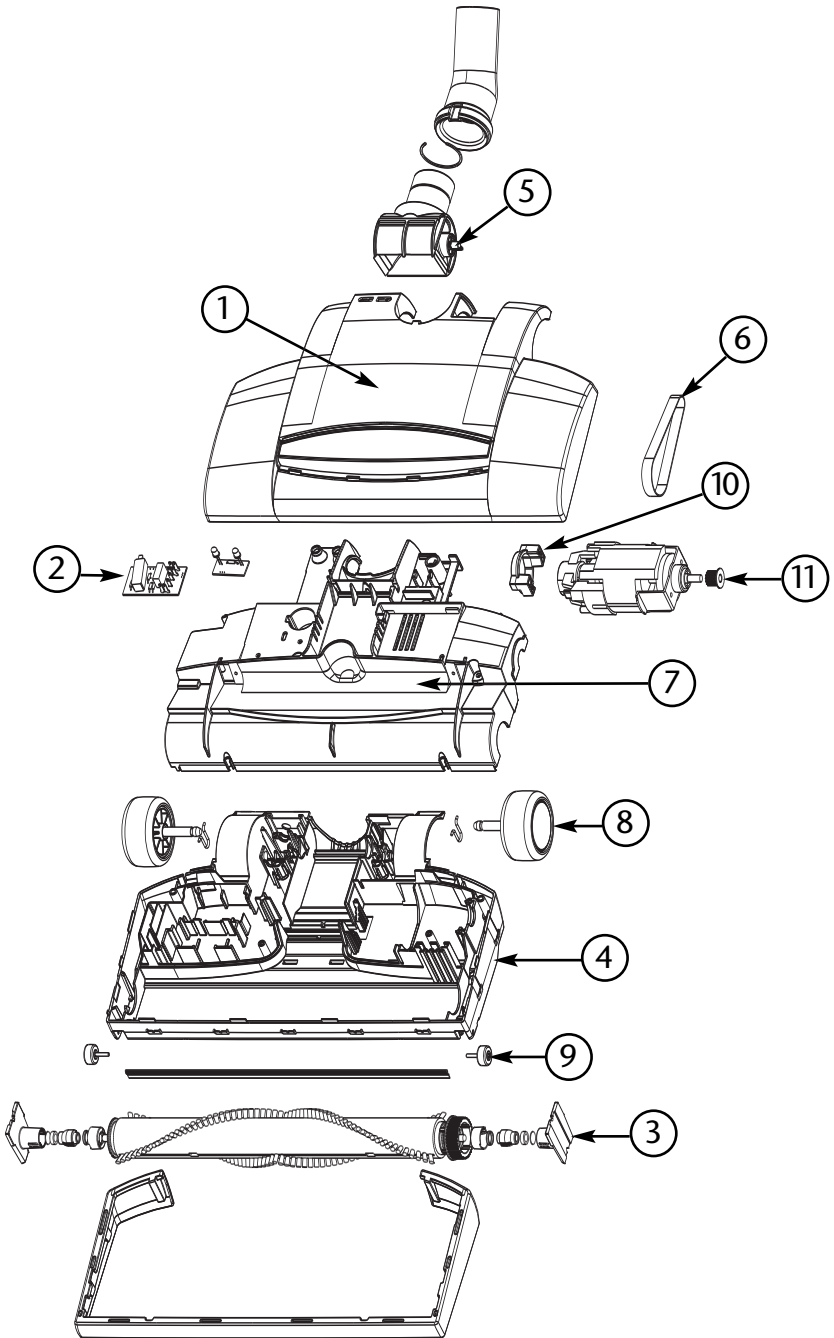
Part Description – Top



Part Description – Bottom



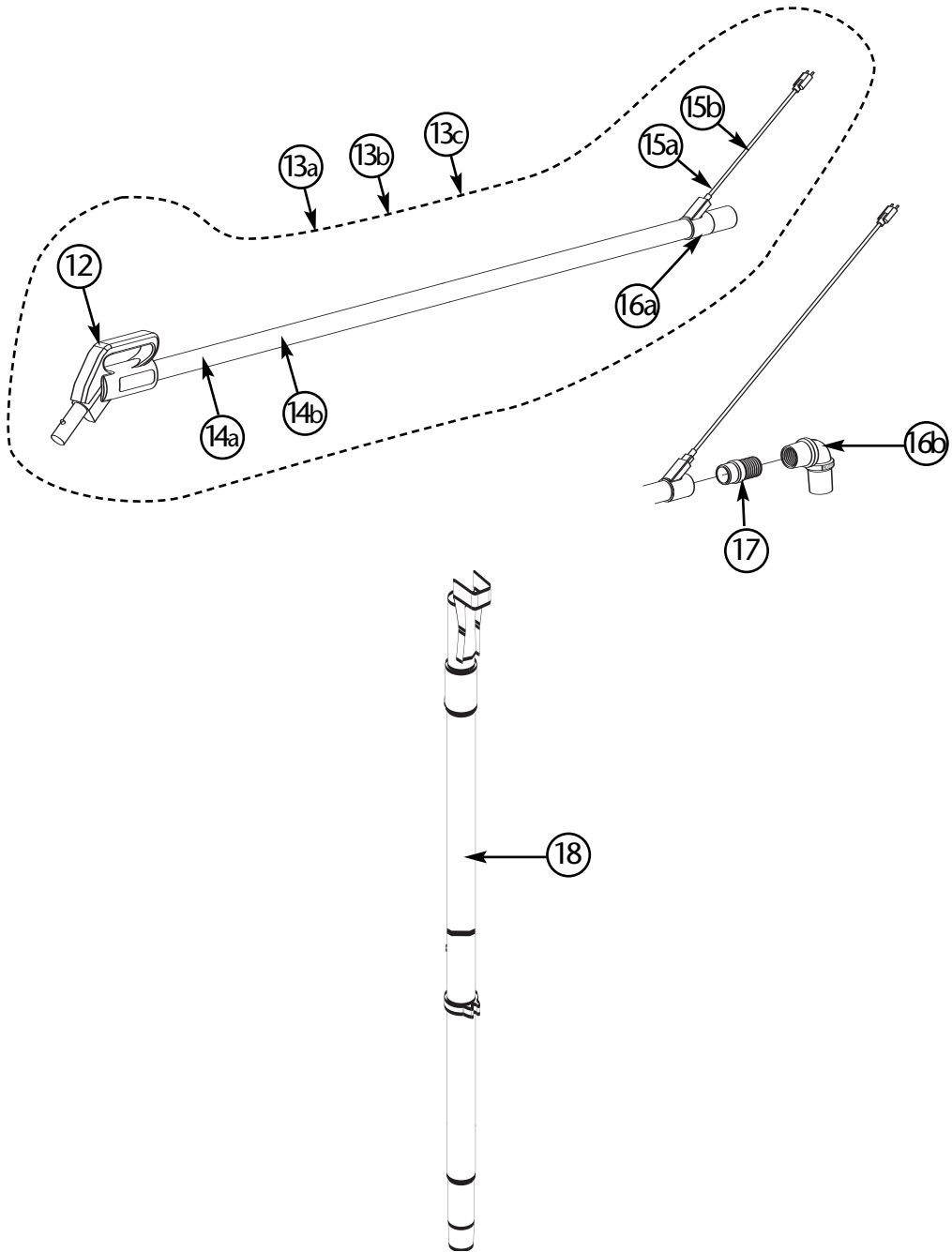
Replacement Parts



Replacement Parts List

I.D.	Description
1	Cover Complete – No Light – Black
2	Circuit Board/Red Cap 120V
3	Brush Roll Complete
4	Base Complete (Bushing/Bumper/Sealing Felt/ Cable Tunnel/Counter Weight)
5	Neck/Joint Complete W/Buttonhole
6	Belt - Cogged
7	Motor Cover for Units Without Light
8	Rear Wheel – 2 Wheels/Axle
9	Front Wheel – 2 Wheels/Axle
10	Motor Hardware- Clamp/Screw/Wedge
11	Motor Complete 120V

Replacement Parts



Replacement Parts List

I.D.	Description
12	Switch Replacement Kit
13a	Electrified Hose, Handle, Swivel Cuff, 2-Wire Power Cord for Alpine
13b	Electrified Hose, Handle, Swivel Cuff, 2-Wire Power Cord for ProClean
13c	Electrified Hose, Handle, Swivel Cuff, 2-Wire Power Cord for Sierra
14a	Electrified Hose, Handle for Sierra/Alpine
14b	Electrified Hose, Handle for ProClean
15a	Power Cord for Alpine/Sierra
15b	Power Cord for ProClean
16a	Swivel Cuff for Alpine/ProClean
16b	Elbow Swivel Cuff for Sierra
17	Swivel Cuff Adapter for Sierra
18	18" Button Lock Wand (2 needed)

Warranty

Crusader covers its products with a warranty against manufacturer's defects.

- n The determination of a 'manufacturing defect' will be determined by Crusader **only** or by an agent assigned by Crusader.
- n Abuse of the product will not be covered under warranty. Crusader reserves the right to determine whether abuse has occurred. Abuse, as described by Crusader, is use of the product in any way inconsistent with Crusader's intended use of the product.
- n Commercial use of 'residential products' is not covered under warranty. Residential products are those classified by UL (Underwriters Laboratories) and are designated by a label that reads, "for household use only."
- n Common ware items (brushes, squeegees, wheels, motor brushes, light bulbs, etc.) are not covered under warranty.
- n Products purchased more than 12 months prior to the date of claim will not be eligible for warranty evaluation.
- n This repair or replace warranty is the buyer's sole means of recovery.

Warranty Procedure

1. Contact Crusader to initiate a warranty claim.
2. Describe the issue to the Warranty Claim Manager.
3. If the issue is deemed worthy, a RGA (Return Goods Authorization) will be issued and the product can be returned to Crusader at the owner's cost. An RGA will be considered invalid if no return of product is received within 90 days of issuance.
4. Crusader will evaluate the claim and make a determination.
5. For valid warranty claims, the product will be repaired or replaced (at Crusader's discretion) and returned at Crusader's cost. Products returned to Crusader that are not deemed valid under warranty will only be returned at the owners cost.

CRUSA DER

2955 Lone Oak Circle #8 · Eagan, MN
800.597.3336