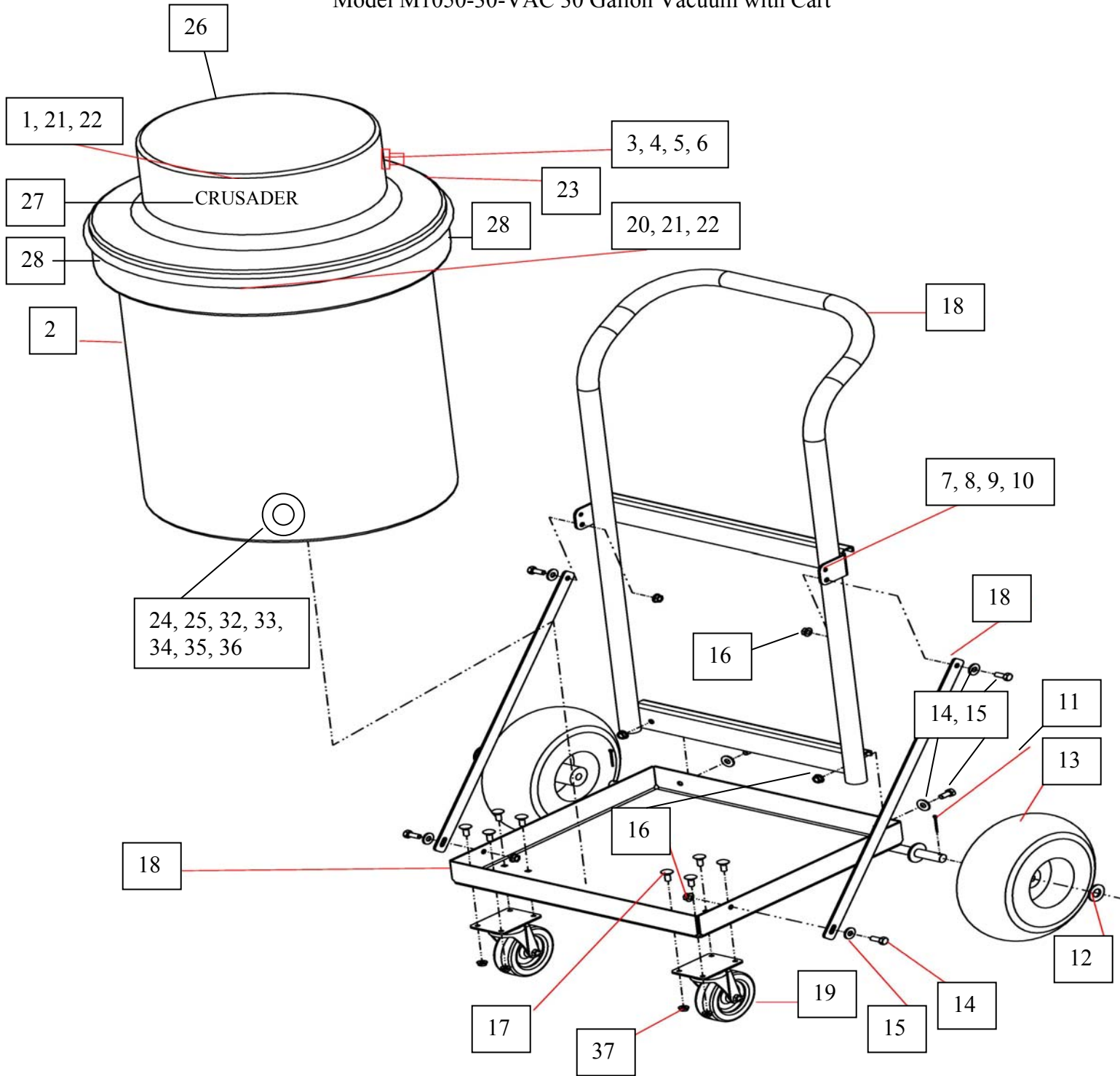


Model M1050-30-VAC 30 Gallon Vacuum with Cart



Item	Qty.	Part #	Description
1.	2	2006	Clamp On Drum Adapter (Not Shown)
2.	1	2326	Tank
3.	1	2007	Intake
4.	1	2008	Deflector (Not Shown)
5.	1	2009	Intake Gasket (Not Shown)
6.	1	2008EXT	Deflector Extension (Not Shown)
6.1	1	2007B	2 3/4" Stainless Hose Clamp for 2008EXT (Not Shown)
7.	1	2327	Ratchet Strap Assembly (Not Shown)
8.	1	1052A	5/16" -18 Bolt (Not Shown)
9.	1	1054A	5/16" Flat Washer (Not Shown)
10.	1	1019A	5/16"- 18 Nylok Nut (Not Shown)
11.	2	1026	Cotter Pin
12.	2	1062A	5/8" Washer
13.	2	2001B	10" Pneumatic Wheel (NOTE: Grease axle before assembling)
14.	6	1052A	5/16"-18 Bolt
15.	6	1054A	5/16" Flat Washer
16.	6	1019A	5/16"-18 Nylok Nut
17.	8	1004A	1/4" Carriage Bolt
18.	1	R2325	Fabricated 30 Gallon Vac Cart
19.	2	2002B	Bolt On 4" Caster (NOTE: Install w/grease zerk towards front of cart & grease)
20.	2	2006A	Clamp w/pvc Coating on Tank (Not Shown)
21.	8	1001	Aluminum Pop Rivet (Not Shown)
22.	8	1002	3/16" Washer (Not Shown)
23.	1	2059	3 Piece Drum Gasket Set (Not Shown)
24.	1	2220	T-Bar Drain Plug
25.	2	1030	Splicing Terminal (Not Shown)
26.	1	A8030	30 Gal Painted Drum Adapter
27.	2	2011	Crusader Decal-Large
28.	2	2328	Handle for 30 Gal Drum (Not Shown)
29.	1	4010	10' Crushproof Hose (Not Shown)
30.	1	4043	Nylon Filter Bag (Not Shown)
31.	1	2018	Filter Bag Ring (Not Shown)
32.	1	2007A	1 1/2" Die cast Metal Nut
33.	1	2076-DRAIN	4' Drain Hose
34.	1	2007NYLON	Special Nylon Intake use for Drain
35.	1	2009	Intake Gasket (Used for Drain on inside of tank in conjunction with 2007A Die cast metal nut)
36.	1	2007C	1 3/4" Stainless Steel Clamp for Drain Hose
37.	8	1019	1/4" - 20 Nylok Nut


Tools needed to assemble:

- 1 – Pliers
- 2- 7/16" Wrenches
- 2- 1/2" Wrenches

IMPORTANT NOTES:

1. Grease the axle on both sides of the cart base before putting the 10" Pneumatic wheels on. Item 13 on the schematic.
2. While installing both of the front casters be sure the grease zerk faces the front of the cart. After you install both casters, be sure to grease them with a standard grease gun. Item 19 on the schematic.

Crusader Mfg. Inc. ■ 2955 Lone Oak Circle, #8 ■ Eagan, MN 55121 ■ (800) 597-3336
www.crusadermfg.com ■ Sales@crusadermfg.com

A photograph showing the rear drain hose routing on a white cylindrical tank. The tank is mounted on a black metal frame. A black corrugated hose is connected to a drain port on the tank. The hose is routed over the top of the tank, loops around the frame, and then runs down the side. A blue wire is visible near the top of the tank. A tire is visible in the bottom right corner.

Rear drain
hose routing



Put deflector extension on the gray deflector (90 degree elbow) as shown.